

TTS28-A

HIGH POWER SUBWOOFER



The TTS28a is a ultra-compact, high output, 2 x 18" bass reflex subwoofer module that sets a new standard in the touring and theater sound reinforcement.

The 2 TTS28a woofers features lightweight, high force, neodymium magnet assembly; 100 mm diameter, 25 mm length, inside-outside copper voice coil; silicon double spiders; water resistant treated cone; magnet assembly complex ventilation for minimum power compression.

The amplifier section features 2000 watt switching power supply (1000 + 1000); 2000 watt low frequency digital amplifier (1000 + 1000).

The input section provides In/Out XLR connectors, Crossover Out XLR connector, system sensitivity control (linear potentiometer), crossover set-up (80 Hz – 100 Hz – crossover add), very low frequencies high pass (45 Hz), 4 status LEDs, the AC panel features In/Out Powercon connectors, On/Off switch.

The cabinet is in marine baltic birch plywood, coated with high resistance epoxy paint. The TTS28a is a ultra-compact, high output, 2 x 18" bass reflex subwoofer module that sets a new standard in the touring and theater sound reinforcement.

The 2 TTS28a woofers features lightweight, high force, neodymium magnet assembly; 100 mm diameter, 25 mm length, inside-outside copper voice coil; silicon double spiders; water resistant treated cone; magnet assembly complex ventilation for minimum power compression.

Applications

- Touring sound reinforcement for large and mid-sized venues
- Medium to large theatres and night clubs
- Stadiums, arenas, concert halls and other fixed venue installations
- Large-scale event reinforcement

Features

- Very compact size (700 x 700 x 920 mm / 27,55" x 27,55" x 36,22")
- Maximum output per size available on market
- Minimum weight (73 Kg / 160,93 lbs)
- 2 x high power full neodymium 18" transducers
- 2000 Watt switching amplifier
- XLR in/out, Powercon input
- Baltic birch cabinet

ACOUSTICAL SPECIFICATIONS

Frequency response:	30 Hz- 110 Khz
Max SPL:	139 dB
Horizontal coverage angle:	-
Vertical coverage angle:	-
Compression driver:	-
Midrange:	-
Woofers:	2 x 18" neo, 100 mm voice coil

INPUT SECTION

Input signal (Impedance):	bal/unbal
Input/Output connector:	xlr
Input sensitivity:	- 2 dBu / + 4 dBu

PROCESSOR SECTION

Crossover frequencies:	80 Hz / 110 Hz
Protections:	thermal, hf
Sensitivity control:	yes
Limiter:	fast limiter
Phase switch	yes
High pass:	-
Controls:	80/110/add crossover, phase

AMPLIFIER

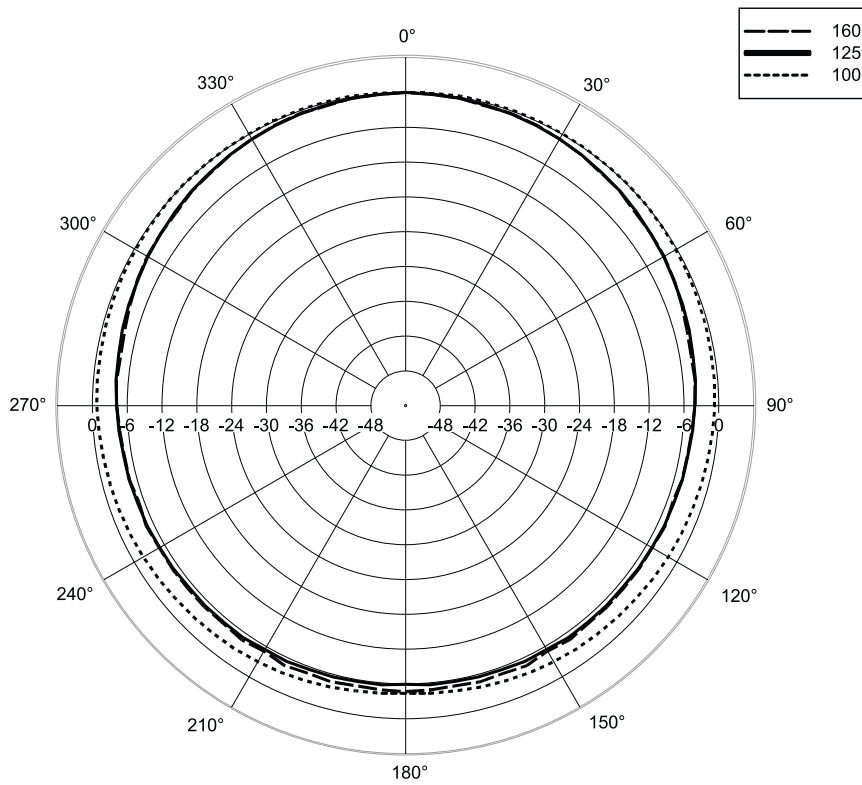
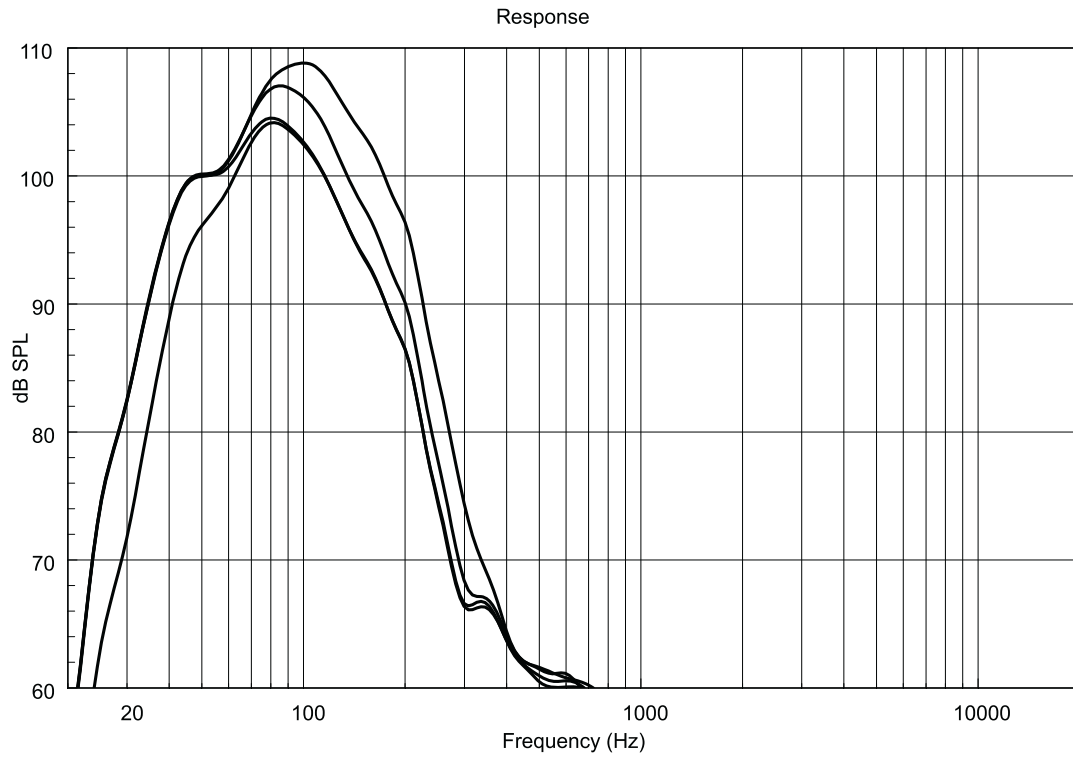
Power supply:	switching 2000 Watt
High frequencies:	-
Mid frequencies:	-
Low frequencies:	D / 2000 Watt
Cooling:	convection
Connection:	powercon in/out

PHYSICAL

Height:	700 mm (27,55")
Width:	700 mm (27,55")
Depth:	920 mm (36,22")
Weight:	73 kg (160,93 lbs)
Cabinet:	baltic birch
Hardware:	fittings ready
Handles:	6 on side
Pole mount cap	ready
Colour:	Black

the rules of sound





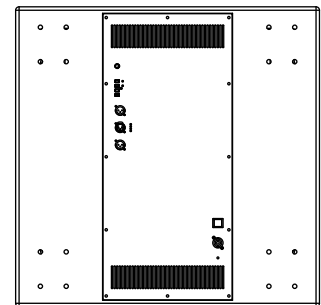
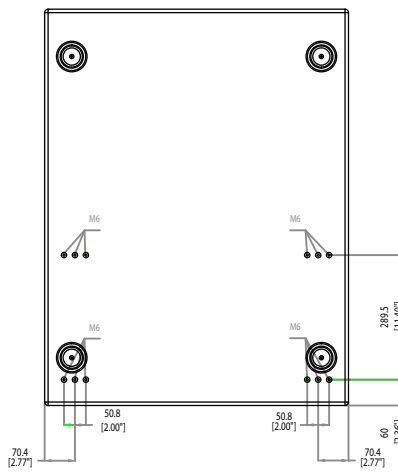
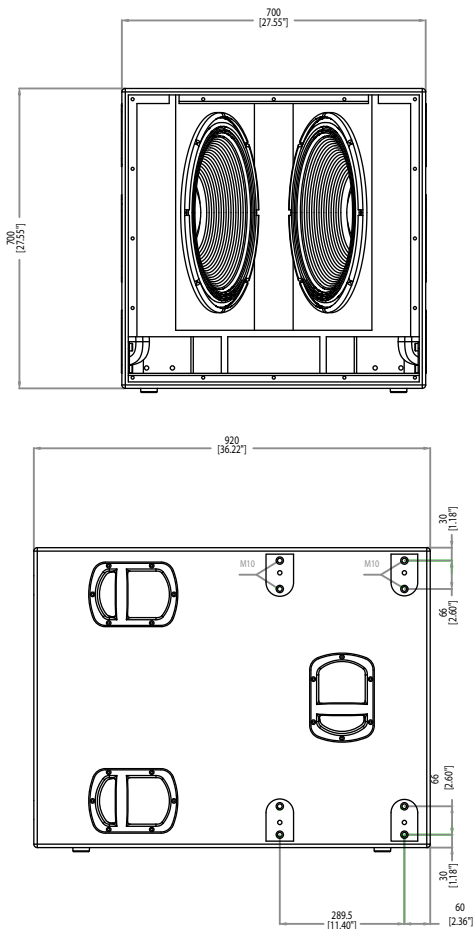
CSI PRODUCT SPECIFICATIONS FOR DESIGNERS, SPECIFIERS, AND CONSULTANTS (ALSO KNOWN AS "A&E SPECIFICATIONS")

The following are "Part 2 Products" CSI-type specifications. It is assumed that "Part 1 General – Administrative and Procedures" and "Part 3 Execution – Installation and Maintenance" are part of an overall audio system or project specification.

PART 2 PRODUCTS

2.01 Approved Manufacturer/Product

- A. RCF, Via Raffaello 13, 42100 Mancasale, Reggio Emilia, Italy.
- B. Model number: TTS28-A



2.02 Design

Configuration	high power subwoofer
LF Sub-section	2 x 18" neodymium woofer, 100 mm voice coil
MR Sub-section	-
HF Sub-section	-

2.03 Acoustical Properties

Nominal dispersion angle:	-
Axial frequency range:	30Hz-110kHz

2.04 Physical Properties

Cabinet:	Baltic birch
Rigging inserts:	fittings ready
Color:	Black
Grille:	Custom perforated steel grille with open-cell poly fiber backing
Input Connectors:	xlr
Dimensions (H x W x D):	700 x 700 x 920 mm (27.55" x 27.55" x 36.22")
Weight:	73 kg (160.93 lbs.)

2.05 Accessories

AC PM M20	M20 pole mount for TT22-A or TT25-A speakers
AC TT PMA	Pole mount cap for TTS18-A or TTS28-A subwoofer.
AC PM M20	M20 pole mount for TT22-A or TT25-A speakers (max 80 kg).
COVER TTS28	Protection cover for TTS28.
STCK BAR TTL33	Accessory to add to fly bar for stacking option on sub TTL33-A. Quick lock pins to be added.
AC QL-PIN TTL33-A	Kit 4 quick lock pins for TTL33-A array system.

