

PR 4092

9 INPUTS, 2 OUTPUTS PREAMPLIFIER



DESCRIPTION

The PR 4092 preamplifier has been specifically designed for the public broadcasting of announcements and/or musical programs in all audio systems. Each of the 9 inputs can be sent to output "A" only, to output "B" only, or to both.

PR 4092 offers 9 balanced XLR mic / line inputs via XLR connectors. Each channel contains Phantom power and High pass filter. Front side switches include LINE, MIC, and MIC with high pass filter.

The equipment can therefore be used as a double preamplifier (for example: output "A" reserved for microphone announcements; output "B" reserved for background music).

Input N° 1 has absolute priority (activated both by means of a contact and by the presence of a signal); Inputs N° 2 and 3 can be given priority over the subsequent inputs; an input's priority function is active only at the output selected (or both).

LEDs for signal inputs and VU meter for the outputs give a complete overview on the unit's status.

CERTIFICATIONS AND APPROVALS

- CE comply with European Community 2006/95/CE LVD Directive and 2004/108/CE EMC
- Directive Immunity according to IEC EN 55013+A1+A2, IEC EN 55020+A2+EC, EN 61000-3-2, EN 61000-3-3+A1
- Safety according to IEC EN 60065:2002

INSTALLATION NOTES

The PR 4092 will be assemble in a cabinet use the ear rack brackets included. The container rack must conform to the EN 60439-1 standard; in particular, the back must be closed with appropriate panels.

MAIN FEATURES

- 1 mic input with configurable priority settings activated automatically or with VOX
- warning signal activated by means of contact on the input 1
- "CHIME TEST" buttons the front panel
- 8 universal inputs each with MIC / LINE selector
- 9 XLR input connectors and 4 double RCA line connector
- "Phantom" feed at the microphone inputs
- Bass- and treble-tone control for each output
- Level control (with VU meter) for each of the two outputs

ACCESSORIES (included)

- 1 Male Audio Input connector 4 pole
- 4 rubber footpad
- AC Power cord
- User's Guide
- Warranty Card

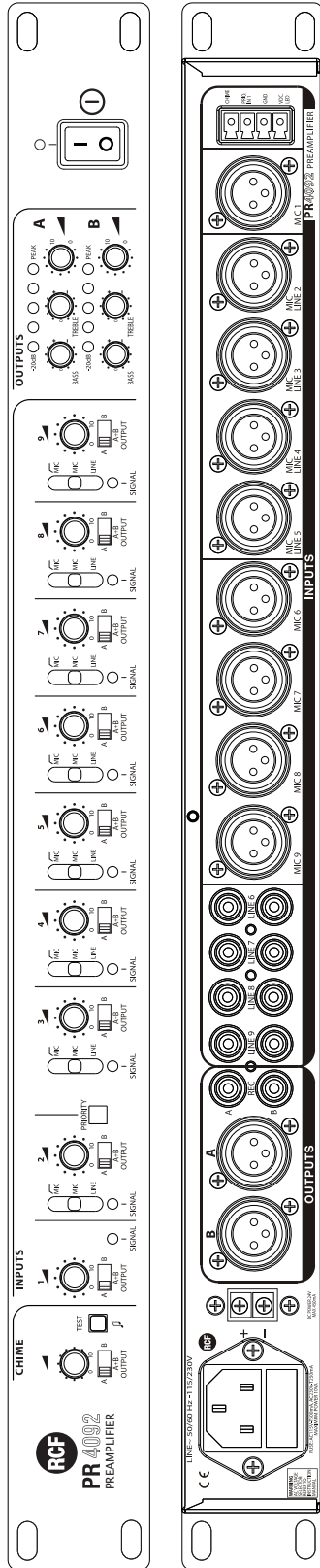
MAIN APPLICATIONS

- Restaurants
- Boutique
- Pub
- Beauty Centre
- Market
- Hotels
- Office building
- Medical centres



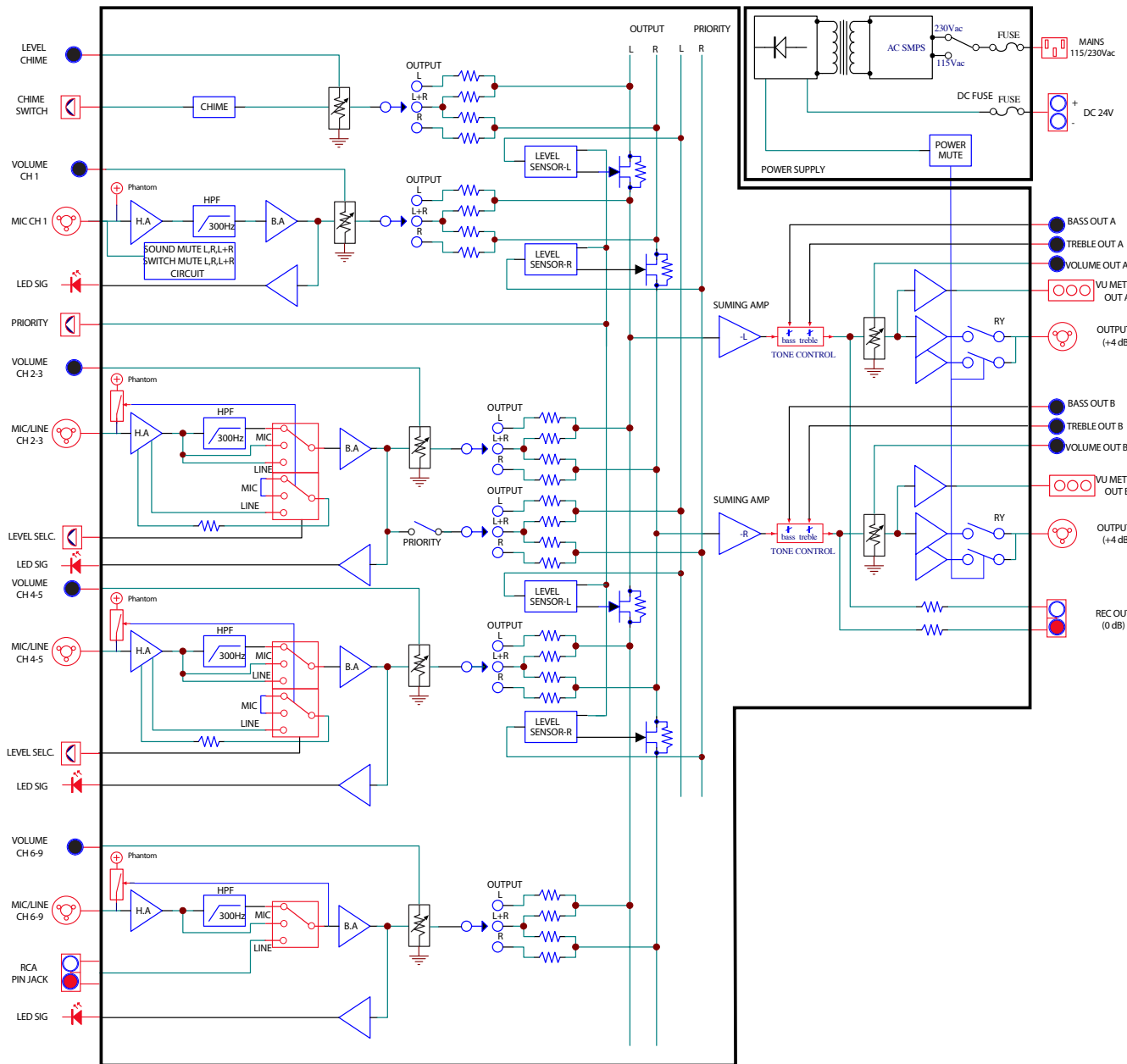
PR 4092

FRONT PANEL & REAR PANEL



PR 4092

SCHEMATICS

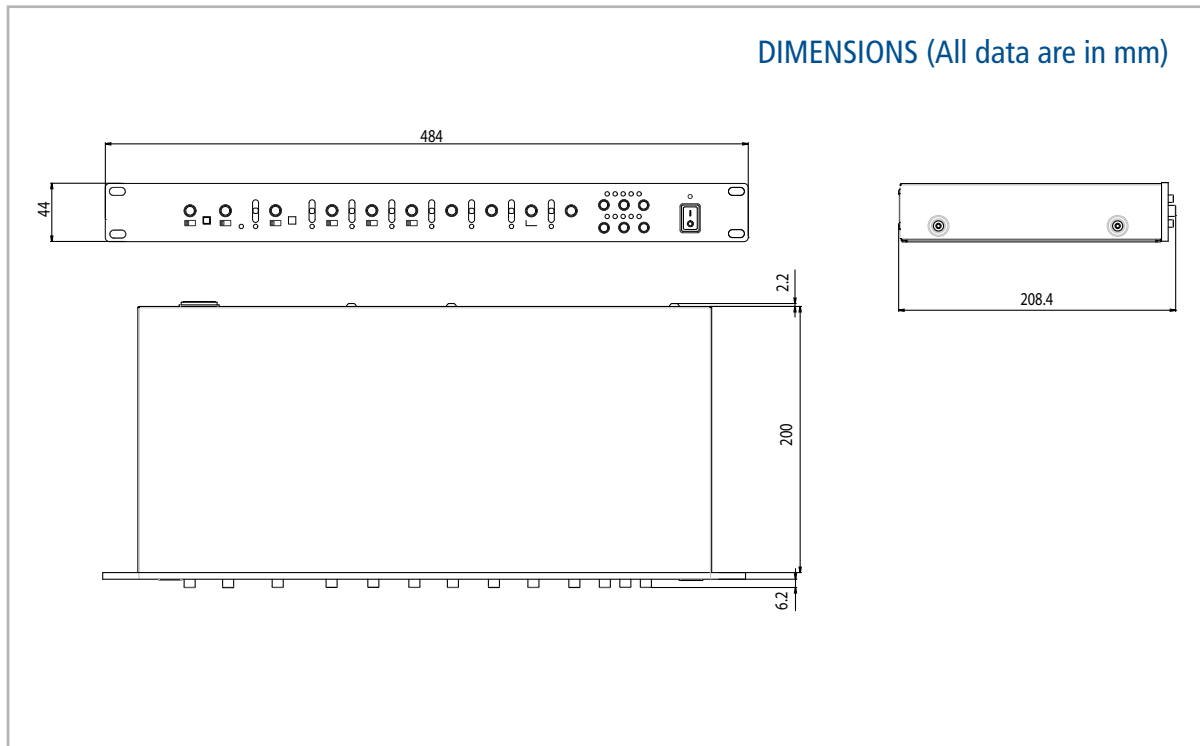


PR 4092

PART NUMBERS

PR 4092 - 12135032

1.0-F-M



SPECIFICATIONS

GENERAL

Protections Power supply	Fuses (T2.5A - 250 V ;T5A - 250 V)
Operating voltage	220÷240 / 110÷120 V ~ 50 / 60 Hz
Power (consumption)	10 VA
Maximum 24 V Absorption	450 mA
Dimensions (w, h, d)	444 x 44 x 200 mm
Net weight	3.9 kg
Operating temperature	-25° to +55°
Relative humidity	90% non condensing
Main input High-pass filter	150 Hz

AUDIO SPECIFICATION

Frequency response (± 3 dB)	20 Hz ÷ 20 kHz
Signal / noise ratio Mic	> 60 dB
Distortion Mic	< 0,5 % (at 1 kHz, nominal power)
Distortion Line	< 0,3 % (at 1 kHz, nominal power)
Diaphonia	> 75 DB LINE
Input Sensitivity (balanced)	- 50 dBu MIC; - 10 dBu LINE
Input Impedance	5 k Ω (XLR Input); 10 k Ω (RCA Input);
Output tone controls	± 10 dB @ 100 Hz (bass); ± 10 dB @ 10 kHz
Audio output level	+ 4 dBu / 600 Ω (REC 0 dBu / 2.200 Ω)



www.rcf.it